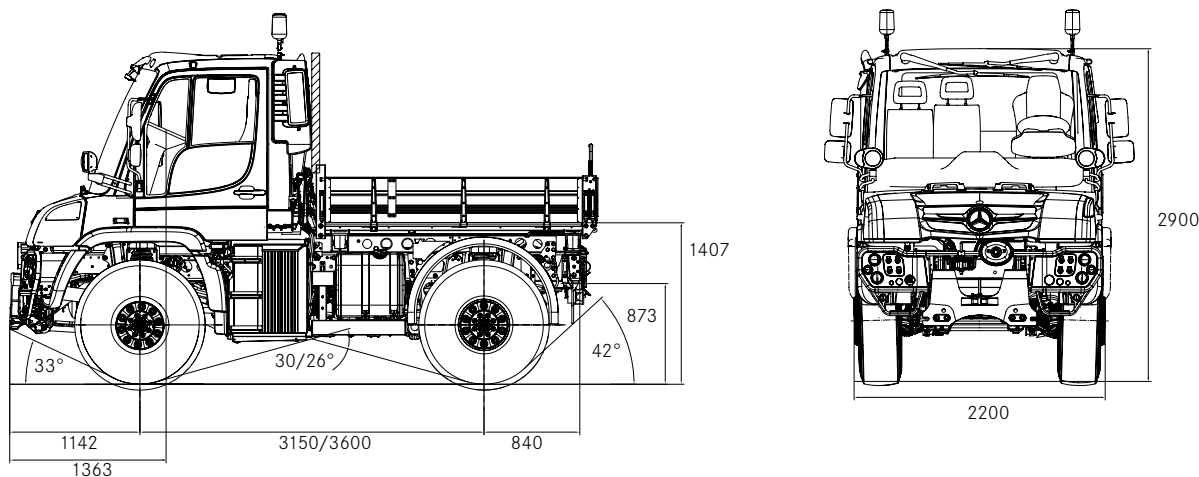




Mercedes-Benz
Trucks you can trust

Technical data

Mercedes-Benz Special Trucks Unimog U 427



Model	U 427 Short	U 427 Long
Model type	405.110	405.125
Wheelbase	3150 mm	3600 mm
Engine (Euro VI)	OM 936	OM 936
Output kW/hp	200/272	200/272
Torque Nm/rpm	1100/1200-1600	1100/1200-1600
Clutch	Single-plate dry clutch. SAE-2 Ø 395 mm press-formed	
Transmission	UG 100/8 with integrated transfer case	
Axles	Link-located portal axles with coil springs	
Front axle	AU 5/5 CS 7.0	AU 5/5 CS 7.0
Rear axle	HU 5/5 CS 8.0	HU 5/5 CS 8.0
Electrical system	24 V	24 V
Battery capacity	140 Ah	140 Ah
Tank capacity (fuel tank) (Series/SA)	200 l/250 l	200 l/250 l
Tank capacity (AdBlue)	25 l	25 l
Steering with max. steering pressure	ZF 8098/155 bar	ZF 8098/155 bar
Brakes	Pneumatic disc brakes	
Smallest tyres (tyre/rim)	315/80 R22.5	315/80 R22.5
Largest tyres (tyre/rim)	445/70 R24	445/70 R24
Type of drive (permanent all-wheel drive)	4x4	4x4
Maximum weight (max. with corresponding optional extras)	14.0 t	14.0 t
Max. weight on front axle	7.0 t	7.0 t
Max. weight on rear axle	8.0 t	8.0 t
Angle of approach at the front with large tyres	33°	33°
Turning circle	14.3 m	16.5 m
Minimum vehicle dimensions: length × width × height	5300 × 2200 × 2900 mm	5755 × 2200 × 2900 mm
Inside dimensions dumper body	2385 × 2075 × 400 mm	2900 × 2075 × 400 mm
Speed	89 km/h*	89 km/h*

* Limited, legal speed limit